

100kHz-18GHz Broadband Bias Tee, High Voltage, High Current, 50V/2A

2022-5-17



Product Overview

AT-BTL-0018HC2 is a broadband bias tee from 100kHz to 18GHz. The insertion loss is -1.5dB typical. The max Voltage is 50V and Max current is 2A.

The bias tee can be used in optical communication, MMIC test and many other applications.

More information, please visit www.atmicrowave.com

Advantages

- ✓ Frequency: 100kHz-18GHz
- ✓ Insertion Loss: -1.5dB
- ✓ Max Voltage: 50V
- ✓ Power Handling: +38dBm

Application

- ✓ 5G Communication
- ✓ Test Equipment
- ✓ ROF (RF Over Fiber)
- ✓ Radar System
- ✓ Optical Application

Key Features

Parameter	Min	Typical	Max
Frequency		100kHz-18GHz	
Insertion Loss		-1.5dB	-2.5dB
Return Loss	-8dB	-15dB	
Group Delay		140ps	
Max Voltage			+50V
Current			2000mA
Power Handling			+38dBm
Spec Temp		25C	





AT-BTL-0018HC2

100kHz-18GHz Bias Tee

Mechanical Information

Item	Description
RF+DC Port	SMA Female
RF Port	SMA Male
DC Port	SMA Female
Case Material	Copper
Finish	Gold Plated
Weight	38g
Size:	See outline

Absolute Maximum Ratings Table

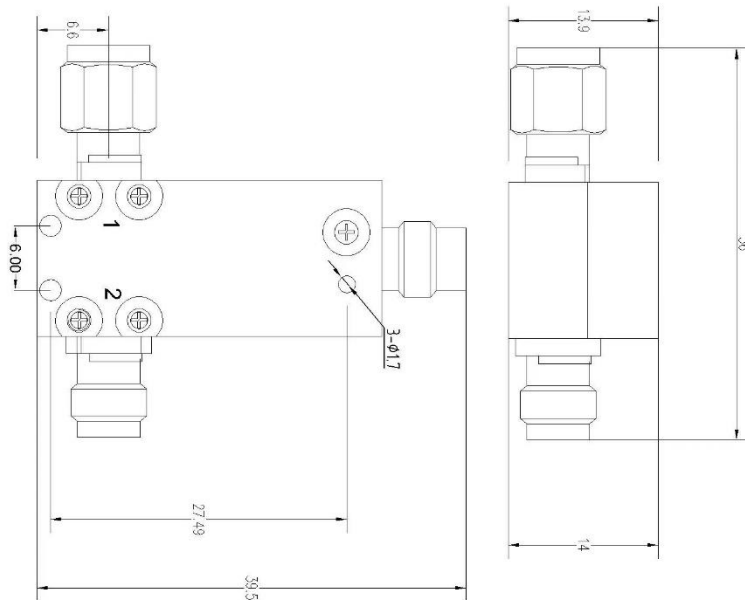
Parameter	Value
Voltage	+50V
RF Power	+38 dBm
Operating Temperature	-40 to +70C
Storage Temperature	-65 to +150C

Notes:

1. Datasheet may be changed according to update of MMIC, Raw materials , process, and so on.
2. This data is only for reference, not for guaranteed specifications.
3. Please contact AT Microwave team to make sure you have the most current data.



Dimension: (unit in mm)



Pin Descriptions

Port#	Description	Connector
1	DC+ RF Port	SMA
2	RF Port	SMA
3	DC Input	SMA Female

Part Number Selection

Port#	Description
AT-BTL-0018HC2	1=Male, 2=Female
AT-BTL-0018HC2-2	1=Female, 2=Male
AT-BTL-0018HC2-3	1=Female, 2=Female
AT-BTL-0018HC2-4	1=Male, 2=Male

PCN

Date	Description
2022-5-17	Change DC+RF Port to Male in default

